

LOW BAY RETROFITS



 120-277V VOLTAGE**	 EX39 MOGUL BASE TYPE	 UL TYPE B BALLAST BYPASS INSTALL METHOD	 -40°-122°F OPERATING TEMP	 ACTIVE COOLING	 6kA SURGE PROTECTION	 80+ CRI	 L70 >50,000 RATED LIFE	 5 YEAR WARRANTY
---	--	--	---	---	---	---	--	--

pinpoint light distribution



- 45W and 75W models replacing up to 320W HID
- 120° light distribution with angled LED panels deliver light where it is needed most
- Includes a fan and thermal sensor to run cool and ensure a long and bright life
- Rated for enclosed fixtures and damp locations with an insect and dust resistant housing
- USA designed and specified driver
- Available in 3000, 4000 and 5000K*

designed from the base up with qualifications in mind



MODEL #	UPC	REPLACES	W	LUMENS	LPW	CCT (K)
LED-8056M50-A	844006082888	Up to 250W	45W	6525	135	5000K
LED-8057M50-A	844006082901	Up to 320W	75W	10875	140	

*See page 2 for additional color temperatures.

**See page 2 for 347V models. 



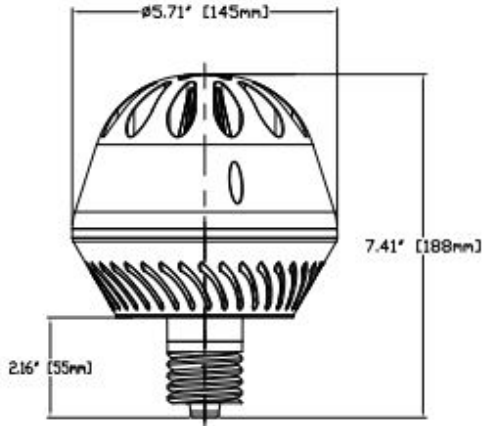
FOR PRODUCT INFO ("LED" MODEL #) CONTACT.....Light Efficient Design • 188 S. Northwest Highway • Cary, IL 60013 • 847.380.3540 • led-llc.com
 FOR PRODUCT INFO ("RP" MODEL #) CONTACT.....RemPhos by Light Efficient Design • 30 Log Bridge Road, Building 200 • Middleton, MA 01949 • 877.997.3674 • remphos.com

10.25.18 Information is subject to change without notice.

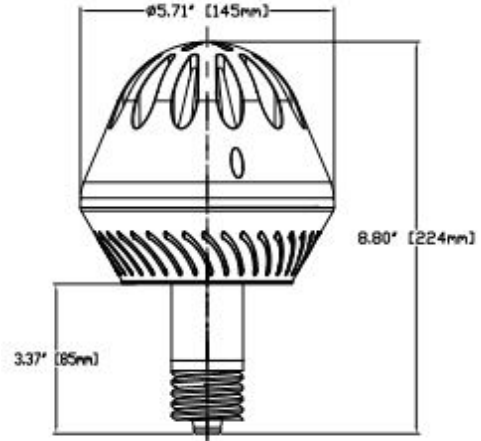
LOW BAY RETROFITS



LED-8056M50-A



LED-8057M50-A



MODEL #	UPC	REPLACES	W	LUMENS	LPW	CCT (K)
LED-8056M30-A	844006083144	Up to 175W HID	45W	5526	135	3000K
LED-8056M40-A	844006082871			5334		4000K
LED-8056M50-A	844006082888			6526		5000K
LED-8057M30-A	844006083168	Up to 250W HID	75W	9750	140	3000K
LED-8057M40-A	844006082895			10500		4000K
LED-8057M50-A	844006082901			10875		5000K
CANADA 347V						
LED-8056M30C-A	844006083151	Up to 175W HID	45W	5526	135	3000K
LED-8056M40C-A	844006082918			5334		4000K
LED-8056M50C-A	844006082925			5560		5000K
LED-8057M30C-A	844006083175	Up to 250W HID	75W	9750	140	3000K
LED-8057M40C-A	844006082932			10500		4000K
LED-8057M50C-A	844006082949			10875		5000K



FOR PRODUCT INFO ("LED" MODEL #) CONTACT.....Light Efficient Design • 188 S. Northwest Highway • Cary, IL 60013 • 847.380.3540 • led-llc.com
 FOR PRODUCT INFO ("RP" MODEL #) CONTACT.....RemPhos by Light Efficient Design • 30 Log Bridge Road, Building 200 • Middleton, MA 01949 • 877.997.3674 • remphos.com

10.25.18 Information is subject to change without notice.